

RT45 TRACTOR

 **Ditch Witch**[®]



RIDE-ON

RT45 TRACTOR

1

User-friendly operation, with color-coded speed/direction and attachment controls easily accessible by operator; backfill blade controlled by a highly responsive joystick.

2

Advanced operator presence system designed to promote safety by stopping the engine when operator leaves the seat.

3

Operator's station features one-piece molded instrument console designed to provide ample legroom and greater visibility.

4

Advanced air-filtration system designed to improve engine performance; air filter elements are easy to access and replace.

5

Exhaust system is mounted under a composite hood with a horizontal exhaust pipe, diverting noise and hot air from the operator.

6

Tier 4, 49-hp (36.5-kW) Deutz® diesel engine is designed for minimal maintenance and maximum operator productivity.

10

Direct-coupled, high-torque digging chain motor designed for increased production and reliability.

9

Easy-to-use foot pedal that controls infinitely variable ground drive forward and reverse.

8

Heavy-duty engine mount for high-vibration applications.

7

Engine service points are easily accessible from one side, simplifying maintenance.



With the increased horsepower from its Tier 4 engine, the new **Ditch Witch® RT45** is the ideal machine to muscle through the earth—with your choice of trencher, backhoe, earth saw, vibratory plow, microtrencher, or combination trencher/plow attachments—while you enjoy its roomy, comfortable operator's station. With their exceptional power and many customer-driven design features, it's no surprise that Ditch Witch trenchers have been the rental industry's number one choice in this horsepower class for the last 50 years.

WE'RE IN THIS TOGETHER.



RT45 TRACTOR ATTACHMENTS



H331 VIBRATORY PLOW

	U.S.	METRIC
DIMENSIONS		
Angle of departure	22°	
Cover depth, feed blade, max	24 in	610 mm
Transport length, plow w/blade	169 in	4.3 m

Offers both feed and pull blades. Maximum cover depth (feed blade) of 24 in (610 mm).

H350 TRENCHER/PLOW COMBO

	U.S.	METRIC
DIMENSIONS*		
Angle of departure	33°	
Trench depth, max	42 in	1.1 m
Trench width, min to max	6-8 in	150-200 mm

PLOW DIMENSIONS

Angle of departure, transport, 18-in (457-mm) blade	17°	
Cover depth	24 in	610 mm

GENERAL

Operating weight, w/out augers, boom, chain, and plow blade	1,500 lb	680 kg
* Dimensions are based on shortest roller boom, 26 x 12-12 standard tire and wheel, and 12-in (305-mm) pivot.		
Trenches up to 42 in (1.07 m) deep and 8 in (200 mm) wide. Plows to a cover depth of 24 in (610 mm).		

H313 TRENCHER

	U.S.	METRIC
DIMENSIONS*		
Angle of departure	17°	
Trench depth, max	63 in	1.6 m
Trench width, min to max	6-12 in	150-305 mm
Attachment weight	610 lb	277 kg

* Dimensions are based on shortest roller boom, 26 x 12-12 standard tire and wheel and 12-in (305-mm) pivot.

A centerline trencher w/a maximum trench depth of 63 in (1.6 m).

H314 TRENCHER

	U.S.	METRIC
DIMENSIONS*		
Angle of departure	35°	
Trench depth, max	52 in	1.3 m
Trench width, min to max		
Center	6-12 in	150-305 mm
Offset	6-8 in	150-200 mm
Attachment weight	570 lb	260 kg

* Dimensions are based on shortest roller boom, 26 x 12.00-12 standard tire and wheel, and 12-in (305-mm) pivot.

H342 SAW

	U.S.	METRIC
DIMENSIONS		
Angle of departure	14°	
Trench depth, max	18 in	455 mm
Overall length, transport	162 in	4.1 m
Number of teeth on saw wheel	36	
Attachment weight		
2.5-in (65-mm) segments	1,550 lb	700 kg
3.5-in (90-mm) segments	1,610 lb	730 kg
5-in (130-mm) segments	1,660 lb	755 kg

Offers 18-in (455-mm) digging depth, w/optional widths of 2.5 to 5 in (63.5 to 127 mm).

A322 BACKHOE

	U.S.	METRIC
DIMENSIONS		
Backhoe length, stowed	60 in	1.5 m
Digging depth, max	72 in	1.8 m
Reach from swing pivot	102 in	2.6 m

GENERAL

Bucket width	12 in	305 mm
Bucket capacity	1.1 ft ³	0.03 m ³
Backhoe weight w/bucket	1,125 lb	511 kg
Swing arc	160°	

Features a remote blade lift and throttle. Maximum digging depth of 72 in (1.83 m).

MT12 MICROTRENCHER

	U.S.	METRIC
DIMENSIONS, w/31 x 10 solid tires		
Angle of departure	19°	
Trench depth 1-ft (25.4-mm) increments	6.5-12.5 in	165-318 mm
Blade diameter	34 in	864 mm
Trench width	0.75-1.5 in	19-38 mm
Attachment weight (includes mount kit)	1,400 lb	636 kg



RT45 TRACTOR SPECIFICATIONS

	U.S.	METRIC
DIMENSIONS*		
Height (H1)	86 in	2.18 m
Length, transport (L2)	155 in	3.9 m
Width (W2)	64 in	1.6 m
Basic unit weight	3,240 lb	1470 kg
Wheelbase (L4)	48 in	1.22 m
Spoil discharge reach, min to max	17-20 in	430-510 mm
Tread (W4)	46 in	1.2 m
Ground clearance, min	7 in	180 mm

POWER

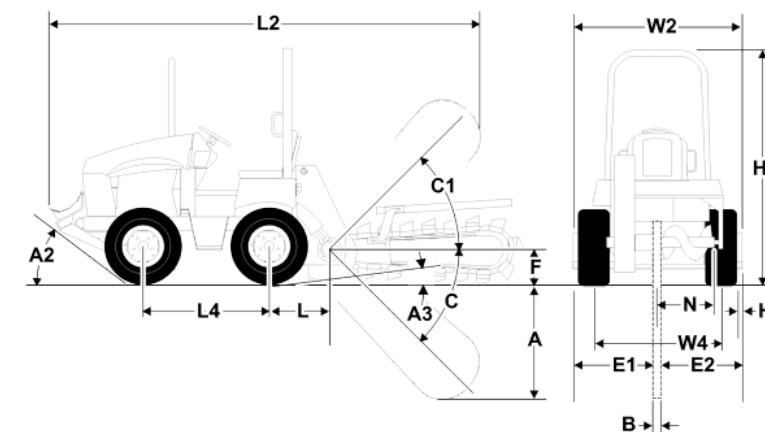
Engine	Deutz® D2.9 L4	
Fuel	Diesel	
Cooling medium	Water	
Injection	Direct	
Aspiration	Natural	
Number of cylinders	4	
Displacement	177 in ³	2.9 L
Bore	3.6 in	92 mm
Stroke	4.3 in	110 mm
Gross power	49 hp	36.5 kW
Rated speed	2,600 rpm	
Emissions compliance	EPA Tier 4	EU Stage IIIA

POWER TRAIN

Ground drive transmission	Hydrostatic drive, infinitely variable from zero to maximum, foot-pedal and hand-lever operated speed/direction control	
Differentials	Dana Model 44, limited slip; Dana Model 60, limited slip	
Parking brake	Disc, hand-operated	
Service brake	Ground drive speed/direction control brakes machine hydraulically when moved to neutral position	
Attachment drive transmission	Hydrostatic, lever operated, speed infinitely variable from zero to maximum forward with limited stroke reverse	
Trencher drive transmission	Hydrostatic	

* Dimensions are based on H313 attachment and shortest roller boom length, 26 x 12-12 standard tire and wheel, and 12-inch pivot.
** Operating weight based on H313 attachment, longest roller boom, heaviest chain, 175 lb operator, and 26 x 12-12 tires.

Specifications are general and subject to change without notice. If exact measurements are required, equipment should be weighed and measured. Due to selected options, delivered equipment may not necessarily match that shown.



	U.S.	METRIC
OPERATION**		
Forward speed, max	4.7 mph	7.6 km/h
Reverse speed, max	2.7 mph	4.4 km/h
Vehicle clearance circle		
Front steer only	28 ft	8.5 m
Coordinated steer	20 ft	6.1 m
Digging chain speed, max (2,600 rpm engine speed)	460 fpm	140 m/min
Operating weight	5,375 lb	2438 kg
Headshaft speed, max (2,600 rpm engine speed)	233 rpm	

HYDRAULIC SYSTEM @ 2,600 RPM

Ground drive pump capacity	31.5 gpm	119 l/min
Ground drive pump relief pressure	3,650 psi	252 bar
Attachment drive		
Trencher	5,000 psi	345 bar
Plow/saw	3,750 psi	259 bar
Attachment pump capacity	31.5 gpm	119 l/min
Auxiliary pump capacity	11.5 gpm	44 l/min
Auxiliary pump relief pressure	2,100 psi	145 bar

NOISE LEVEL

Operator	96 dBA sound pressure per ISO 6394	
Exterior	108 dBA sound power per ISO 6393	

FLUID CAPACITIES

Fuel tank	13 gal	49 L
Engine oil	6.4 qt	6.1 L
Hydraulic system	13 gal	49 L
Hydraulic reservoir	9.5 gal	36 L
Coolant	3 gal	11 L

BACKFILL BLADE

Blade width	64 in	1.6 m
Blade height	14 in	355 mm
Lift height, above ground	12 in	300 mm
Blade drop, below ground	8 in	200 mm
Swing angle, max		
Left/right	28°	
Tilt angle		
Up/down	11°	

TIRES/PRESSURE

26 x 12-12, 4-ply bar lug	1,780 lb @ 20 psi	807 kg @ 1.40 bar
29 x 12.50-15, 8-ply bar lug (optional)	2,150 lb @ 30 psi	975 kg @ 2.07 bar

BATTERY

Group	26/26R/70	
SAE reserve capacity rating	165 min	
Cold crank rating @ 0°F (-18°C)	850 amps	
Auxiliary power outlet	12V, 5 amps	



FIND THE SUPPORT YOU NEED AT YOUR DITCH WITCH® DEALER, INCLUDING:



DIGGING SYSTEMS

Replacing worn digging system components is essential to maintaining maximum productivity from your trencher. See your dealer for genuine Ditch Witch chain, specially manufactured headshaft sprockets and digging teeth, which are designed to work together as a system to provide unparalleled trenching performance.



PARTS

Tires, rubber tracks, o-ring kits, decals, paint, filters, hydraulic cylinder kits, belts, and many other accessories and replacement parts are available at your local Ditch Witch dealership, where you'll also find expert advice that comes from years of experience in the underground construction industry.



SERVICE

Your Ditch Witch dealership offers professional service technicians who are extensively trained in every aspect of Ditch Witch equipment maintenance and repair. Ask a service representative about our Orange Armor® Planned Maintenance program, a schedule of maintenance at factory-suggested intervals that keeps your equipment in peak operating condition.

