

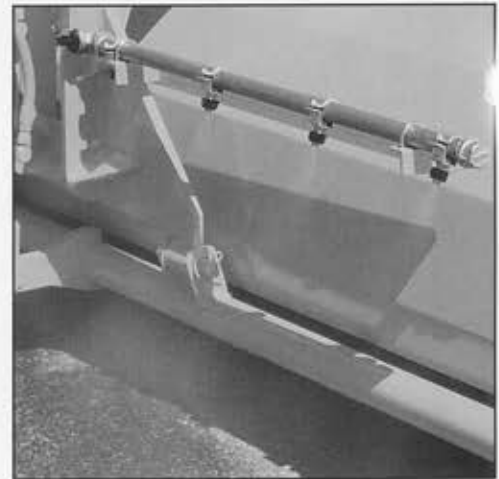
WATER SPRAY SYSTEMS

DUST CONTROL WHEN IT'S NEEDED

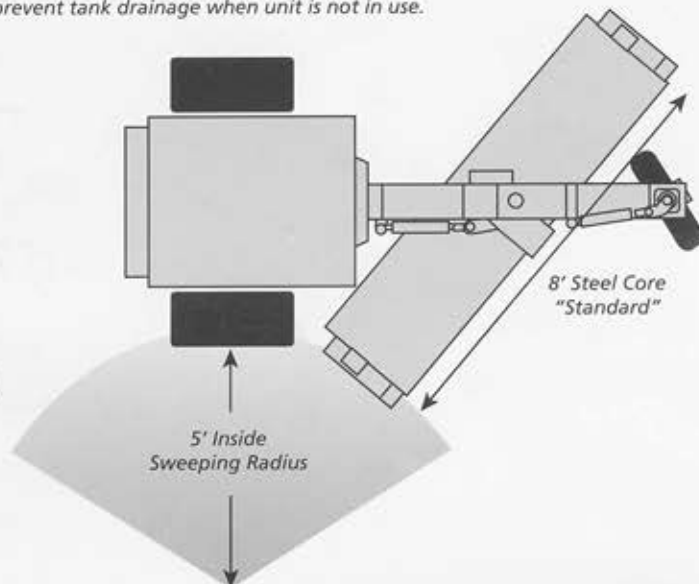
**Keep the Dust to a Minimum
for Convenience and Safety**



- 72 Gallon Water System
- 2.1 GPM Electric Pump
- 8 Spray Nozzles
- Suction Strainer Filter



This system also includes a back flow valve to prevent tank drainage when unit is not in use.



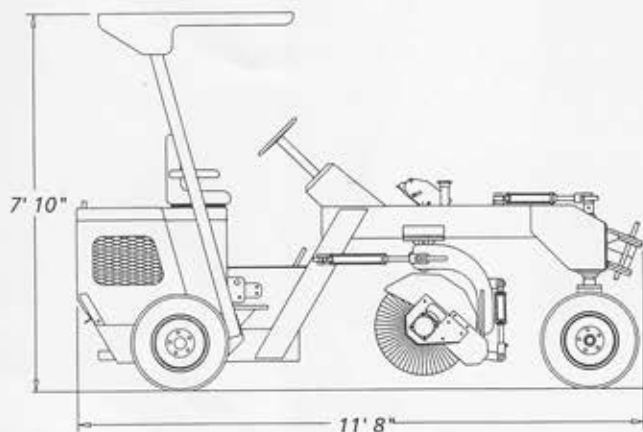
In Tight Places Broce BB250 Offers Better Maneuverability

Broce offers a trailing type broom function that allows full contact on the road surface without manual adjustments. The brush, as a standard feature, has hydraulic float, plus down pressure for extra heavy sweeping.



*This BB-250 is shown with
our unique water system
and certified R.O.P.S.*

Broce Broom Model BB-250 Specifications



Standard Equipment on All Units

- Safety yellow paint
- 8' steel core with 6 $\frac{3}{8}$ " x 24" poly convoluted wafers
- Certified roll-over protection structure and canopy
- Seat belts and reverse alarm
- Power steering
- 2-wheel hydraulic drum brakes with manual parking brake
- 37hp 4-cylinder Kubota diesel engine
- 2" ball tow hitch with surge brakes and tow lights
- Gauge package includes: oil, water, alternator, fuel and hour meter
- P185/70R13 radial tires
- Sunstrand hydraulic transmission
- Parking brake
- Single brush drive
- Broom controls—three spool control valve with adjustable down pressure and float position
- Steering—orbital type steering
- Padded seat with arm rests and seat belt

Engine—Kubota Diesel	37HP
Machine Weight	3,000 lb.
Weight w/Water System	3,600 lb.
Broom Size	6 $\frac{3}{8}$ " ID x 24" OD
Broom Length	Full 8' (Optional 6')
Broom Drive	Single Hydraulic Motor
Broom Angle	Full 40 Degrees (both ways)
Steering	60 Degrees (both ways)
Outside Turning Radius	10' 9"
Fuel Capacity	9 U.S. gallon
Hydraulic Oil Capacity	15 U.S. gallon
Speed	0 to 9mph
Inside Sweeping Radius	5'

Optional Equipment

- 6' core (in lieu of std. 8')
- 2 $\frac{5}{16}$ " ball hitch or pentle eye hitch
- 72 gallon water sprinkler system
- Amber beacon light
- Amber strobe light
- Front work lights and rear tail lights
- Rear work lights (2 single beam)
- Turn signal and warning lights
- Paint (other than standard safety yellow)
- Engine shutdown safety system
- Canopy windshield
- Traffic horn
- Caterpillar engine

Distributed by

BUILT BY



Broce Manufacturing Co.

1460 South Second Avenue • Dodge City, Kansas 67801
(316)227-8811 • Fax (316)227-3012