

PC200LC-6

KOMATSU

NET HORSEPOWER

133 HP 99 kW

OPERATING WEIGHT

46,363 – 49,434 lb

21030 – 22423 kg



PC200LC-6

HYDRAULIC EXCAVATOR

PC200LC-6

SPECIFICATIONS



ENGINE

Model Komatsu SA6D102E-1
 Type 4-cycle, water-cooled, direct-injection
 Aspiration Turbocharged
 No. of cylinders 6
 Bore **4.02"** 102 mm
 Stroke **4.72"** 120 mm
 Piston displacement **359 in³** 5.88 ltr.
 Rated gross horsepower:
 140 HP 108.1 kW at **2000 RPM** (SAE J1349)
 Flywheel horsepower:
 133 HP 99 kW at **2000 RPM** (SAE J1349)
 Governor All-speed, mechanical



HYDRAULIC SYSTEM

Type HydraMind (Hydraulic Mechanical Intelligence New Design) system.
 Closed-center system with load-sensing valves and pressure-compensated valves.
 No. of selectable working modes 5
 Main pump:
 Type Variable-displacement piston pumps
 Pumps for Boom, arm, bucket, swing, and travel circuits
 Maximum flow **2 x 54.4 gpm** 2 x 206 ltr./min.
 Hydraulic motors:
 Travel 2 x Axial piston motor with parking brake
 Swing 1 x Axial piston motor with swing holding brake
 Relief valve setting:
 Implement circuits
 up to **5,190 PSI** 365 kg/cm²
 Travel circuit **5,050 PSI** 355 kg/cm²
 Swing circuit **3,980 PSI** 280 kg/cm²
 Pilot circuit **540 PSI** 38 kg/cm²
 Service valve up to **4,190 PSI** 295 kg/cm²
 Hydraulic cylinders:
 Number of cylinders – bore x stroke
 Boom 2 – **4.7" x 50.6"** 120 mm x 1285 mm
 Arm 1 – **5.3" x 58.7"** 135 mm x 1490 mm
 Bucket 1 – **4.5" x 44.1"** 115 mm x 1120 mm
 Service valves maximum flow:
 First valve **108.8 gpm** 412 ltr./min.
 Second valve **54.4 gpm** 206 ltr./min.
 Third valve **54.4 gpm** 206 ltr./min.



DRIVES AND BRAKES

Steering control Two levers with pedals
 Drive method Fully hydrostatic
 Travel motor Axial piston motor, in-shoe design
 Reduction system Planetary double reduction
 Max. drawbar pull **39,020 lb** 17700 kg
 Gradability 70%
 Max. travel speed (High) **3.4 MPH** 5.5 km/h
 Max. travel speed (Mid) **2.6 MPH** 4.1 km/h
 Max. travel speed (Low) **1.9 MPH** 3.0 km/h
 Service brake Hydraulic lock
 Parking brake Oil disc brake



SWING SYSTEM

Driven by Hydraulic motor
 Swing reduction Planetary double reduction
 Swing circle lubrication Grease-bathed
 Swing lock Oil disc brake
 Swing speed 12.4 RPM



UNDERCARRIAGE

Center frame X-frame
 Track frame Box-section
 Seal of track Sealed track
 Track adjuster Hydraulic
 No. of shoes 49 each side
 No. of carrier rollers 2 each side
 No. of track rollers 9 each side



COOLANT AND LUBRICANT CAPACITY (refilling)

Fuel tank **89.8 U.S. gal** 340 ltr.
 Radiator **5.9 U.S. gal** 22.2 ltr.
 Engine **6.3 U.S. gal** 24.0 ltr.
 Final drive, each side **1.1 U.S. gal** 4.2 ltr.
 Swing drive **1.5 U.S. gal** 5.5 ltr.
 Hydraulic tank **43.9 U.S. gal** 166 ltr.



OPERATING WEIGHT (approximate)

Operating weight, including **18'8"** 5700 mm one-piece boom, **9'7"** 2925 mm arm, SAE heaped **1.00 yd³** 0.76 m³ back-hoe bucket, operator, lubricant, coolant, full fuel tank, and the standard equipment.

Triple-Grouser Shoes	PC200LC-6	
	Operating Weight	Ground Pressure
23.6" 600 mm	46,363 lb 21030 kg	6.40 PSI 0.45 kg/cm ²
27.6" 700 mm	46,970 lb 21300 kg	5.55 PSI 0.39 kg/cm ²
31.5" 800 mm	47,580 lb 21580 kg	4.99 PSI 0.35 kg/cm ²
35.4" 900 mm	48,200 lb 21860 kg	4.55 PSI 0.32 kg/cm ²
Maximum Weight	49,434 lb 22423 kg	4.67 PSI 0.33 kg/cm ²

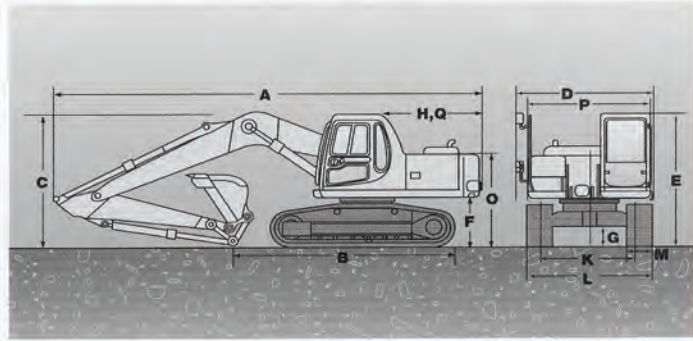
Maximum weights also include **18'8"** 5700 mm HD boom, **13'4"** 4000 mm arm, and a **.75 yd³** .57 m³ HDP bucket.

Arm Length	Weight Adjustments	
5' 11" 1800 mm	192 lb	87 kg
7' 11" 2400 mm	112 lb	51 kg
13' 4" 4000 mm	950 lb	430 kg
18' 8" HD Boom	181 lb	82 kg



DIMENSIONS

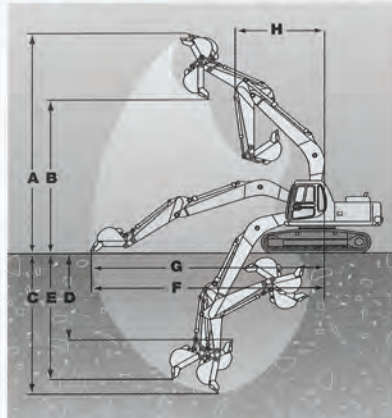
	5'11" 1.8 m arm	7'11" 2.4 m arm	9'7" 2.9 m arm	**13'4" 4.0 m arm
A Overall length	31'2" 9510 mm	31'1" 9485 mm	30'11" 9425 mm	30'11" 9425 mm
B Length on ground (transport)	21'3" 6470 mm	19'3" 5860 mm	16'6" 5020 mm	14'2" 4310 mm
C Overall height (to top of boom)	9'10" 2985 mm	10'5" 3170 mm	9'9" 2970 mm	10'5" 3170 mm
D Overall width	10'1" 3080 mm			
E Overall height (to top of cab)	9'6" 2905 mm			
F Ground clearance, counterweight	3'7" 1085 mm			
G Min. ground clearance	1'5" 440 mm			
H Tail swing radius	9'1" 2780 mm			
I Length of track on ground	11'11" 3640 mm			
J Track length	14'7" 4450 mm			
K Track gauge	7'10" 2380 mm			
L Width of crawler	10'1" 3080 mm			
M Shoe width	28" 700 mm			
N Grouser height	1" 26 mm			
O Machine cab height	6'8" 2020 mm			
P Upper structure width	8'11" 2710 mm			
Q Distance, swing center to rear end	9'0" 2740 mm			



**3'8" 1.13 m Extension arm +9'7" 2.93 m arm



WORKING RANGE AND BUCKET/ARM COMBINATION



	5'11" 1.8 m arm	7'11" 2.4 m arm	9'7" 2.9 m arm	13'4" 4.0 m**arm
A Max. digging height	29'2" 8895 mm	29'8" 9050 mm	30'6" 9305 mm	31'10" 9700 mm
B Max. dumping height	19'11" 6065 mm	20'6" 6255 mm	21'3" 6475 mm	22'10" 6970 mm
C Max. digging depth	18'2" 5535 mm	20'0" 6095 mm	21'9" 6620 mm	25'4" 7725 mm
D Max. vertical wall digging depth	16'3" 4965 mm	17'5" 5315 mm	19'7" 5980 mm	23'3" 7075 mm
E Max. digging depth of cut for 8' level	16'11" 5160 mm	19'2" 5840 mm	21'1" 6435 mm	24'11" 7590 mm
F Max. digging reach	29'3" 8915 mm	30'10" 9395 mm	32'5" 9875 mm	35'8" 10880 mm
G Max. digging reach at ground	28'7" 8720 mm	30'2" 9205 mm	31'10" 9700 mm	35'1" 10705 mm
H Min. swing radius	11'11" 3640 mm	12'2" 3710 mm	11'11" 3630 mm	11'11" 3630 mm
Bucket digging force☆	32,850 lb* 14900 kg	28,000 lb 12700 kg	28,000 lb 12700 kg	28,000 lb 12700 kg
Arm crowd force	29,100 lb 13200 kg	25,800 lb 11700 kg	22,050 lb 10000 kg	18,080 lb 8200 kg

☆At power max

*Optional bucket cylinder is required

**3'8" 1.13 m Extension arm +9'7" 2.93 m arm



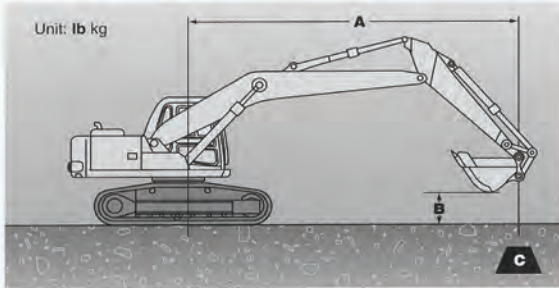
BACKHOE BUCKET AND ARM COMBINATION

BUCKET	CAPACITY	WIDTH OUTSIDE LIP	WEIGHT	TEETH	ARMS			
					5'11" 1.8 m	7'11" 2.4 m	9'7" 2.9 m	13'4" 4.0 m*
ESCO STANDARD PLATE	0.62 yd ³ 0.47 m ³	24" 610 mm	1,144 lb 519 kg	4	○	○	○	○+
	0.75 yd ³ 0.57 m ³	30" 762 mm	1,299 lb 589 kg	4	○	○	○	○+
	1.00 yd ³ 0.76 m ³	36" 914 mm	1,428 lb 648 kg	5	○	○	○	X
	1.25 yd ³ 0.96 m ³	42" 1067 mm	1,581 lb 717 kg	5	○	□	▲	X
	1.50 yd ³ 1.15 m ³	48" 1219 mm	1,678 lb 761 kg	5	○	□	X	X
ESCO HEAVY DUTY PLATE	0.62 yd ³ 0.47 m ³	24" 610 mm	1,372 lb 622 kg	4	○	○	○	○+
	0.75 yd ³ 0.57 m ³	30" 762 mm	1,531 lb 694 kg	4	○	○	○	○+
	1.00 yd ³ 0.76 m ³	36" 914 mm	1,724 lb 782 kg	5	○	○	○	X
	1.25 yd ³ 0.96 m ³	42" 1067 mm	1,881 lb 853 kg	5	○	□	▲	X
	1.50 yd ³ 1.15 m ³	48" 1219 mm	2,037 lb 924 kg	5	○	□	X	X
ESCO HEAVY DUTY CAST	0.62 yd ³ 0.47 m ³	24" 610 mm	1,415 lb 642 kg	4	○	○	○	○+
	0.75 yd ³ 0.57 m ³	29" 737 mm	1,520 lb 690 kg	4	○	○	○	○+
	0.88 yd ³ 0.67 m ³	35" 889 mm	1,722 lb 781 kg	5	○	○	○	X
ESCO DITCH CLEANING	0.62 yd ³ 0.47 m ³	48" 1219 mm	915 lb 415 kg		+	+	+	+
	0.88 yd ³ 0.67 m ³	60" 1524 mm	1,038 lb 471 kg		+	+	+	+

*Extension arm ○ - Used with weights up to 3,040 lb/yd³ □ - Used with weights up to 2,520 lb/yd³ ▲ - Used with weights up to 2,020 lb/yd³ X - Not useable + - Light duty applications only



LIFTING CAPACITY



Unit: lb kg

- Equipment:**
- Boom: **18'8"** 5700 mm
 - Bucket: **1.00 yd³** 0.76 m³
 - Shoes: **31.5"** 800 mm
 - Lifting Mode

- A: Reach from swing center
- B: Bucket hook height
- C: Lifting capacity
- Cf: Rating over front
- Cs: Rating over side
- ☉: Rating at maximum reach

Arm: 5'11" 1800 mm													Unit: lb kg	
B	A	5' 1.5 m		10' 3.0 m		15' 4.6 m		20' 6.1 m		25' 7.6 m		☉ MAX.		
		Cf	Cs	Cf	Cs	Cf	Cs	Cf	Cs	Cf	Cs	Cf	Cs	
25'	7.6 m											*10,300	*10,300	
												*4700	*4700	
20'	6.1 m							*12,800	9,900			*9,600	8,700	
								*5850	4450			*4300	3950	
15'	4.6 m					*16,200	15,500	*14,000	9,700			*9,400	7,000	
						*7850	7050	*6350	4350			*4250	3150	
10'	3.0 m					*21,000	14,300	15,200	9,200	10,500	6,300	*9,800	6,200	
						*9500	6500	6900	4150	4750	2850	*4450	2800	
5'	1.5 m					23,600	13,300	14,700	8,700	10,300	6,100	10,000	6,000	
						10650	6500	6650	3950	4650	2800	4500	2700	
0'	0.0 m					22,900	12,900	14,400	8,400			10,300	6,100	
						10400	5850	6500	3800			4700	2800	
-5'	-1.5 m			*25,300	25,300	22,900	12,900	14,300	8,400			11,600	6,900	
				*11450	11450	10400	5850	6500	3800			5300	3150	
-10'	-3.0 m			*35,200	26,100	23,300	13,200					15,000	8,900	
				*15050	11850	10600	6000					6800	4000	

*Load is limited by hydraulic capacity rather than tipping. Ratings are based on SAE Standard No. J1097. Rated loads do not exceed 87% of hydraulic lift capacity or 75% of tipping load.

Arm: 7'11" 2400 mm													Unit: lb kg	
B	A	5' 1.5 m		10' 3.0 m		15' 4.6 m		20' 6.1 m		25' 7.6 m		☉ MAX.		
		Cf	Cs	Cf	Cs	Cf	Cs	Cf	Cs	Cf	Cs	Cf	Cs	
25'	7.6 m											*9,100	*9,100	
												*4100	*4100	
20'	6.1 m							*11,200	10,100			*8,500	7,500	
								*5050	4600			*3850	3400	
15'	4.6 m							*12,500	9,800	10,800	6,600	*8,500	6,200	
								*5700	4450	4900	3000	*3850	2800	
10'	3.0 m					*18,900	14,000	*14,800	9,400	10,600	6,400	*8,900	5,600	
						*8580	6700	*6750	4250	4800	2800	*4050	2550	
5'	1.5 m					*23,600	13,700	14,800	8,900	10,300	6,200	9,000	5,300	
						*10700	6200	6750	4000	4700	2800	4100	2400	
0'	0.0 m					23,100	13,000	14,400	8,500	10,200	6,000	9,300	5,500	
						10500	5900	6550	3850	4600	2750	4200	2500	
-5'	-1.5 m	*13,800	*13,800	*23,200	*23,200	22,900	12,800	14,300	8,300			10,200	6,100	
		*6250	*6250	*10550	*10550	10400	5850	6450	3800			4850	2750	
-10'	-3.0 m	*24,600	*24,600	*38,000	*25,800	23,100	13,000	14,400	8,400			12,600	7,400	
		*11150	*11150	*17250	11700	10500	5900	6500	3850			5700	3350	
-15'	-4.6 m			*31,600	26,800	*21,600	13,300					*18,600	11,300	
				*14300	12150	*9800	6050					*8400	5100	

*Load is limited by hydraulic capacity rather than tipping. Ratings are based on SAE Standard No. J1097. Rated loads do not exceed 87% of hydraulic lift capacity or 75% of tipping load.

Arm: 9'7" 2900 mm													Unit: lb kg	
B	A	5' 1.5 m		10' 3.0 m		15' 4.6 m		20' 6.1 m		25' 7.6 m		☉ MAX.		
		Cf	Cs	Cf	Cs	Cf	Cs	Cf	Cs	Cf	Cs	Cf	Cs	
25'	7.6 m											*5,800	*5,800	
												*2600	*2600	
20'	6.1 m									*5,900	*5,900	*5,400	*5,400	
										*2700	*2700	*2450	*2450	
15'	4.6 m							*11,300	10,000	*9,900	6,700	*5,400	*5,400	
								*5150	4550	*4500	3050	*2450	*2450	
10'	3.0 m			*26,100	*26,100	*17,000	15,200	*13,700	9,500	10,700	6,500	*5,700	5,100	
				*11850	*11850	*7700	6850	*6250	4300	4850	2950	*2550	2300	
5'	1.5 m			*13,600	*13,600	*22,200	14,000	15,000	9,000	10,400	6,300	*6,200	4,900	
				*6150	*6150	*10050	6350	6800	4100	4700	2850	*2800	2200	
0'	0.0 m			*15,000	*15,000	23,400	13,200	14,500	8,600	10,200	6,000	*7,100	5,000	
				*6800	*6800	10600	6000	6600	3900	4600	2750	*3200	2250	
-5'	-1.5 m	*12,900	*12,900	*21,700	*21,700	23,000	12,800	14,300	8,300	10,100	5,900	*8,600	5,400	
		*5850	*5850	*9850	*9850	10450	5850	6480	3800	4550	2700	*3900	2450	
-10'	-3.0 m	*20,700	*20,700	*32,100	25,700	23,000	13,000	14,300	8,300			10,900	6,500	
		*9400	*9400	*14550	11650	10450	5860	6480	3800			4950	2960	
-15'	-4.6 m			*34,800	26,400	23,600	13,300					15,300	9,000	
				*15800	12000	10650	6050					6950	4100	

*Load is limited by hydraulic capacity rather than tipping. Ratings are based on SAE Standard No. J1097. Rated loads do not exceed 87% of hydraulic lift capacity or 75% of tipping load.