

KOMATSU®

PC138USLC-2

With Tier 2 SAA4D95LE-3-A Engine

NET HORSEPOWER

66.2 kW **89 HP** @ 2200 rpm

OPERATING WEIGHT

14000–14760 kg **30,860–32,537 lb**

BUCKET CAPACITY

0.35–0.70 m³ **0.46–0.92 yd³**

**PC
138US
LC**



Photo may include optional equipment.

HYDRAULIC EXCAVATOR

GALEN

SPECIFICATIONS



ENGINE

Model Komatsu SAA4D95LE-3-A
 Type Water cooled, 4-cycle, direct injection
 Aspiration Turbocharged, and air-to-air aftercooled
 Number of cylinders 4
 Bore 95 mm **3.74"**
 Stroke 115 mm **4.53"**
 Piston displacement 3.26 ltr **199 in³**
 Horsepower:
 Gross 69.2 kW **93 HP @ 2200 rpm**
 Net 66.2 kW **89 HP @ 2200 rpm**
 Governor All speed control, mechanical
 This engine is Tier 2 EPA, EU, and Japan emissions certified.

Starting motor 4.5 kW/24 V
 Alternator 25 A/24 V
 Battery 72 Ah/2 x 12 V



HYDRAULICS SYSTEM

Type HydraMind (Hydraulic Mechanical Intelligence New Design) system, Closed-center system with load-sensing valve and pressure-compensated valve

Main pump:
 Type Variable capacity piston type
 Pumps for Boom, arm, bucket, swing, and travel circuits
 Maximum flow 226 ltr/min **59.7 U.S. gal/min**

Hydraulic motors:
 Travel 2 x piston motor with parking brake
 Swing 1 x piston motor with swing holding brake

Relief valve setting:
 Implement circuits 31.9 MPa 325 kgf/cm² **4,620 psi**
 Travel circuit 34.8 MPa 355 kgf/cm² **5,050 psi**
 Swing circuit 27.5 MPa 280 kgf/cm² **3,980 psi**
 Pilot circuit 2.9 MPa 30 kgf/cm² **430 psi**

Hydraulic cylinders:
 (Number of cylinders – bore x stroke)
 Boom 2–105 mm x 1055 mm **4.1" x 41.5"**
 Arm 1–115 mm x 1175 mm **4.5" x 46.3"**
 Bucket 1–100 mm x 885 mm **3.7" x 34.8"**



SWING SYSTEM

Driven by Hydraulic motor
 Swing reduction Planetary gear
 Swing circle lubrication Grease-bathed
 Swing lock Wet, multiple-disc brake
 Swing speed 11.0 rpm
 Swing torque 2991 kg•m **21,627 ft lbs**



STANDARD EQUIPMENT

- Air cleaner, double element with auto dust evacuator
- Air conditioner
- Alternator, 25 Ampere, 24 V
- Batteries, 72 Ah/2 x 12 V
- Cab which includes: Antenna, AM/FM radio, floor mat, intermittent front wind-
- hatch, pull-up front window, removable lower windshield, sliding seat
- Cooling fan, mixed flow with fan guard
- Counterweight, 3420 kg **7,540 lb**
- Dustproof net for radiator and oil cooler
- Monitor panel
- Light, one front



DRIVES AND BRAKES

Steering control Two levers with pedals
 Drive method Fully hydrostatic
 Maximum drawbar pull 123 kN 12500 kgf **27,550 lbf**
 Maximum travel speed: High 5.1 km/h **3.2 mph**
 Low 3.2 km/h **2.0 mph**
 Service brake Hydraulic lock
 Parking brake Wet, multiple-disc



UNDERCARRIAGE

Center frame X-leg frame
 Track frame Box-section
 Seal of track Sealed track
 Track adjuster Hydraulic
 Number of shoes 46 each side
 Number of carrier rollers 2 each side
 Number of track rollers 8 each side



COOLANT AND LUBRICANT CAPACITY (REFILLING)

Fuel tank 200 ltr **52.8 U.S. gal**
 Radiator 18.2 ltr **4.8 U.S. gal**
 Engine 17.0 ltr **4.5 U.S. gal**
 Final drive, each side 2.5 ltr **0.7 U.S. gal**
 Swing drive 2.5 ltr **0.7 U.S. gal**
 Hydraulic tank 69.0 ltr **18.2 U.S. gal**



OPERATING WEIGHT (APPROXIMATE)

Operating weight including 4600 mm 15'1" one-piece boom, 2500 mm 8'2" arm, SAE heaped 0.35 m³ **0.46 yd³** backhoe bucket, rated capacity of lubricants, coolant, full fuel tank, operator, and standard equipment.

Shoes		Operating Weight		Ground Pressure		
mm	in	kg	lb	kPa	kg/cm ²	psi
500*	20"	14400	31,758	42.2	0.43	6.16
600	24"	14050	30,980	34.3	0.35	4.98
700	28"	14150	31,195	30.2	0.30	4.30

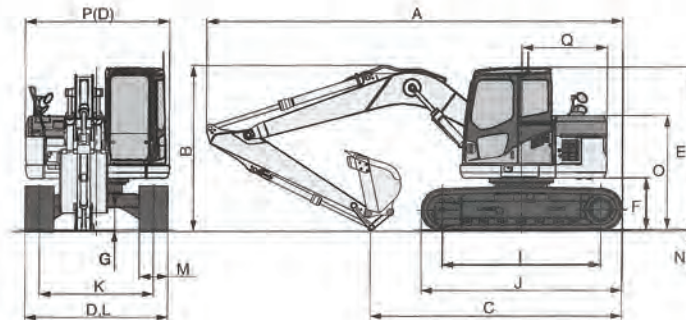
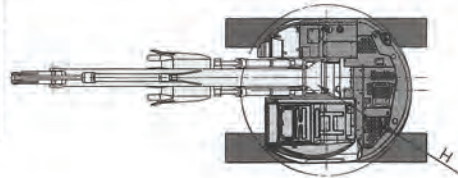
*includes the blade weight

- Auto deceleration
- Pump/engine partition cover
- Rearview mirror
- Shoe, 600 mm **24"** triple grouser
- Starting motor 4.5 kW
- Swing holding brake



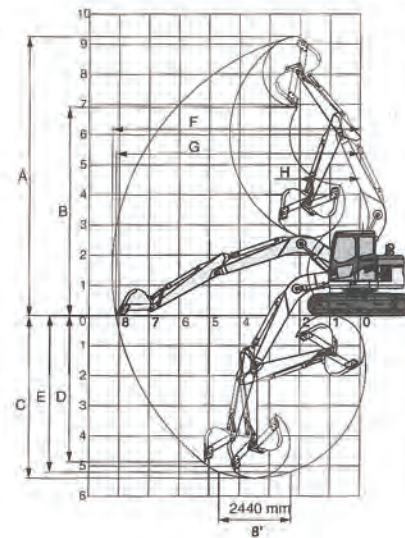
DIMENSIONS

	Boom Length	4600 mm 15'1"	4600 mm 15'1"	4600 mm 15'1"
	Arm Length	2500 mm 8'2"	3000 mm 9'10"	2100 mm 6'11"
A	Overall length	7395 mm 24'3"	7295 mm 23'11"	7410 mm 24'4"
B	Overall height (to top of boom)	2850 mm 9'4"	3190 mm 10'6"	2690 mm 8'10"
C	Length on ground (transport)	4540 mm 14'11"	4400 mm 14'5"	4690 mm 15'5"
D	Overall width	2590 mm 8'6"		
E	Overall height (to top of cab)	2815 mm 9'3"		
F	Ground clearance, counterweight	900 mm 2'11"		
G	Minimum ground clearance	395 mm 1'4"		
H	Tail swing radius	1480 mm 4'10"		
I	Length of track on ground	3100 mm 10'2"		
J	Track length	3840 mm 12'7"		
K	Track gauge	1990 mm 6'6"		
L	Width of crawler	2590 mm 8'6"		
M	Shoe width	600 mm 24"		
N	Grouser height	25 mm 1.0"		
O	Machine cab height	1980 mm 6'6"		
P	Machine cab width	2515 mm 8'3"		
Q	Distance swing center to rear end	1480 mm 4'10"		



WORKING RANGE

	Boom	4600 mm 15'1"	4600 mm 15'1"	4600 mm 15'1"
	Arm	2500 mm 8'2"	3000 mm 9'10"	2100 mm 6'11"
A	Maximum digging height	9340 mm 30'8"	9700 mm 31'10"	9020 mm 29'7"
B	Maximum dumping height	6840 mm 22'5"	7350 mm 24'1"	6525 mm 21'5"
C	Maximum digging depth	5480 mm 18'0"	5900 mm 19'4"	5070 mm 16'8"
D	Maximum vertical wall digging depth	4900 mm 16'1"	5340 mm 17'6"	4490 mm 14'9"
E	Maximum digging depth of cut for 2440 mm 8' level	5265 mm 17'3"	5715 mm 18'9"	4835 mm 15'10"
F	Maximum digging reach	8300 mm 27'3"	8720 mm 28'7"	7930 mm 26'0"
G	Maximum digging reach at ground	8180 mm 26'10"	8600 mm 28'3"	7805 mm 25'7"
H	Minimum swing radius	1980 mm 6'6"	2250 mm 7'5"	1845 mm 6'1"
ISO rating	Bucket digging force	93.2 kN 9500 kgf 20,940 lbf	88.3 kN 9000 kgf 19,840 lbf	88.3 kN 9000 kgf 19,840 lbf
	Arm crowd force	61.8 kN 6300 kgf 13,890 lbf	55.9 kN 5700 kgf 12,570 lbf	71.6 kN 7300 kgf 16,090 lbf
SAE rating	Bucket digging force	81.4 kN 8300 kgf 18,300 lbf	78.0 kN 7950 kgf 17,530 lbf	78.0 kN 7950 kgf 17,530 lbf
	Arm crowd force	60.8 kN 6200 kgf 13,670 lbf	54.4 kN 5550 kgf 12,240 lbf	69.6 kN 7100 kgf 15,650 lbf



BACKHOE BUCKET AND ARM COMBINATION

Bucket Type	Bucket						Arms		
	Capacity		OLW	Weight		Number of Teeth	6'11"	8'2"	9'10"
Komatsu "H" Series HD	0.35 m ³	0.46 yd ³	610 mm 24"	421 kg	928 lb	4	V	V	V
	0.50 m ³	0.65 yd ³	762 mm 30"	463 kg	1,021 lb	5	V	V	W
	0.60 m ³	0.79 yd ³	914 mm 36"	525 kg	1,157 lb	5	W	X	Y
	0.70 m ³	0.92 yd ³	1067 mm 42"	564 kg	1,244 lb	6	X	Y	Y
Komatsu "H" Series SD	0.34 m ³	0.44 yd ³	610 mm 24"	441 kg	972 lb	4	V	V	V
	0.45 m ³	0.59 yd ³	762 mm 30"	509 kg	1,122 lb	5	V	V	W
	0.56 m ³	0.73 yd ³	914 mm 36"	581 kg	1,280 lb	5	W	X	Y
	0.67 m ³	0.88 yd ³	1067 mm 42"	652 kg	1,437 lb	6	X	Y	Z

V - Used with weights up to 3,500 lb/yd³, W - Used with weights up to 3,000 lb/yd³