

KOMATSU®

PC300LC-7 With Tier 3 Engine

184 kW **246 HP** @ 1950 rpm

OPERATING WEIGHT

32860–35070 kg

72,432–77,298 lb

BUCKET CAPACITY

0.68–1.96 m³ **0.89–2.56 yd³**

**PC
300
LC**



Photo may include optional equipment.

HYDRAULIC EXCAVATOR

PC300LC-7 HYDRAULIC EXCAVATOR

SPECIFICATIONS



ENGINE

Model Komatsu SAA6D114E-3
 Type Water-cooled, 4-cycle, direct injection
 Aspiration Turbocharged and aftercooled
 Number of cylinders 6
 Bore 114 mm **4.49"**
 Stroke 135 mm **5.31"**
 Piston displacement 8.27 ltr **505 in³**
 Horsepower
 SAE J1995 Gross 194 kW **260 HP**
 ISO 9249/SAE J1349 Net 184 kW **246 HP**
 Rated rpm 1950 rpm
 Fan drive type Mechanical
 Governor All-speed, electronic
 Meets 2006 EPA and EU Tier 3 emission regulations.



HYDRAULIC SYSTEM

Type HydrauMind (Hydraulic Mechanical Intelligence New Design) system, closed-center system with load sensing valves and pressure compensated valves
 Number of selectable working modes 4
 Main pump:
 Type Variable displacement piston type
 Pumps for Boom, arm, bucket, swing, and travel circuits
 Maximum flow 535 ltr/min **141 U.S. gal/min**
 Supply for control circuit Self-reducing valve
 Hydraulic motors:
 Travel 2 x axial piston motors with parking brake
 Swing 1 x axial piston motor with swing holding brake
 Relief valve setting:
 Implement circuits 37.3 MPa 380 kg/cm² **5,400 psi**
 Travel circuit 37.3 MPa 380 kg/cm² **5,400 psi**
 Swing circuit 27.9 MPa 285 kg/cm² **4,050 psi**
 Pilot circuit 3.2 MPa 33 kg/cm² **470 psi**
 Hydraulic cylinders:
 Number of cylinders—bore x stroke x rod diameter
 Boom 2 – 140 mm x 1480 mm x 100 mm **5.5" x 58.3" x 3.9"**
 Arm 1 – 160 mm x 1825 mm x 110 mm **6.3" x 71.9" x 4.3"**
 Bucket for 3.2 m **10'5"** and 4.0 m **13'2"** Arms
 1-140 mm x 1285 mm x 100 mm **5.5" x 50.6" x 3.9"**
 for 2.54 m **8'4"** Arm
 1-150 mm x 1285 mm x 110 mm **5.9" x 50.6" x 4.3"**



DRIVES AND BRAKES

Steering control Two levers with pedals
 Drive method Hydrostatic
 Maximum drawbar pull 264 kN 26900 kg **59,300 lb**
 Gradeability 70%, 35%
 Maximum travel speed: High 5.5 km/h **3.4 mph**
 (Auto-shift) Mid 4.5 km/h **2.8 mph**
 Low 3.2 km/h **2.0 mph**
 Service brake Hydraulic lock
 Parking brake Mechanical disc brake



SWING SYSTEM

Drive method Hydrostatic
 Swing reduction Planetary gear
 Swing circle lubrication Grease bathed
 Service brake Hydraulic lock
 Holding brake/Swing lock Mechanical disc brake
 Swing speed 9.5 rpm
 Swing torque 11386 kg•m **82,313 ft. lbs.**



UNDERCARRIAGE

Center frame X-frame
 Track frame Box-section
 Track type Sealed
 Track adjuster Hydraulic
 No. of shoes 48 each side
 No. of carrier rollers 2 each side
 No. of track rollers 8 each side



COOLANT AND LUBRICANT CAPACITY (REFILLING)

Fuel tank 605 ltr **160 U.S. gal**
 Coolant 30.3 ltr **8.0 U.S. gal**
 Engine 35.0 ltr **9.2 U.S. gal**
 Final drive, each side 8.5 ltr **2.2 U.S. gal**
 Swing drive 13.4 ltr **3.5 U.S. gal**
 Hydraulic tank 188 ltr **49.7 U.S. gal**



OPERATING WEIGHT (APPROXIMATE)

Operating weight, including 6500 mm **21'3"** one-piece boom, 3185 mm **10'5"** arm, SAE heaped 1.96 m³ **2.56 yd³** bucket, rated capacity of lubricants, coolant, full fuel tank, operator, and standard equipment.

Triple-Grouser Shoes	Operating Weight	Ground Pressure
*700 mm 28"	32860 kg 72,432 lb	0.54 kg/cm ² 7.70 psi
800 mm 31.5"	34190 kg 75,376 lb	0.49 kg/cm ² 6.97 psi
850 mm 33.5"	34380 kg 75,795 lb	0.47 kg/cm ² 6.68 psi

* with 1.21 yd³ **30"** bucket and *4PL01* standard counterweight



WORKING FORCES

	Arm	2540 mm 8'4"	3185 mm 10'5"	4020 mm 13'2"
SAE rating	Bucket digging force at power max.	23300 kgf 51,370 lb	20400 kgf 44,970 lb	20400 kgf 44,970 lb
	Arm crowd force at power max.	19700 kgf 43,430 lb	16800 kgf 37,040 lb	14200 kgf 31,310 lb
ISO rating	Bucket digging force at power max.	26400 kgf 58,200 lb	23100 kgf 50,930 lb	23100 kgf 50,930 lb
	Arm crowd force at power max.	20500 kgf 45,190 lb	17400 kgf 38,360 lb	14700 kgf 32,410 lb

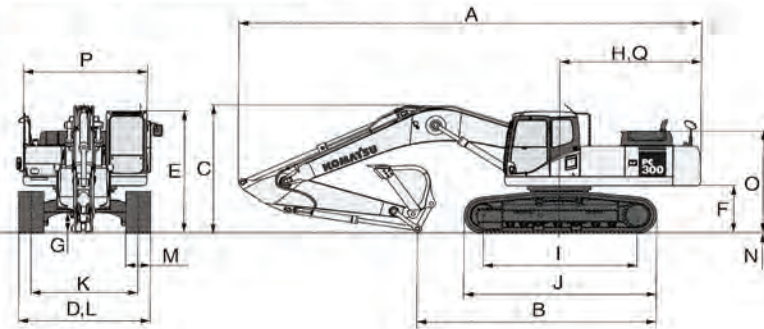
HYDRAULIC EXCAVATOR

PC300LC-7



DIMENSIONS

	Arm Length	2540 mm 8'4"	3185 mm 10'5"	4020 mm 13'2"
A	Overall length	11180 mm 36'8"	11140 mm 36'7"	11170 mm 36'8"
B	Length on ground (transport):	6760 mm 22'2"	5930 mm 19'5"	5475 mm 18'0"
C	Overall height (to top of boom)	3410 mm 11'2"	3280 mm 10'9"	3760 mm 12'4"
D	Overall width	3390 mm 11'2"		
E	Overall height (to top of cab)	3130 mm 10'3"		
F	Ground clearance, counterweight	1185 mm 3'11"		
G	Ground clearance (minimum)	500 mm 1'8"		
H	Tail swing radius	3450 mm 11'4"		
I	Track length on ground	4030 mm 13'3"		
J	Track length	4955 mm 16'3"		
K	Track gauge	2590 mm 8'6"		
L	Width of crawler	3390 mm 11'2"		
M	Shoe width	800 mm 31.5"		
N	Grouser height	36 mm 1.4"		
O	Machine cab height	2580 mm 8'6"		
P	Machine cab width	2995 mm 9'10"		
Q	Distance, swing center to rear end	3405 mm 11'2"		



BACKHOE BUCKET, ARM, AND BOOM COMBINATION

Bucket Type	Bucket			Arms		
	Capacity	OLW	Weight	2540 mm 8'4"	3185 mm 10'5"	4020 mm 13'2"
Komatsu GSK	0.68 m ³ 0.89 yd ³	610 mm 24"	878 kg 1,935 lb	V	V	V
	0.93 m ³ 1.21 yd ³	762 mm 30"	1012 kg 2,230 lb	V	V	V
	1.18 m ³ 1.54 yd ³	914 mm 36"	1102 kg 2,430 lb	V	V	V
	1.44 m ³ 1.88 yd ³	1067 mm 42"	1221 kg 2,691 lb	V	V	W
	1.70 m ³ 2.22 yd ³	1219 mm 48"	1308 kg 2,883 lb	W	W	X
	1.96 m ³ 2.56 yd ³	1372 mm 54"	1427 kg 3,146 lb	X	X	Y
Komatsu HP	0.68 m ³ 0.89 yd ³	610 mm 24"	1022 kg 2,254 lb	V	V	V
	0.93 m ³ 1.21 yd ³	762 mm 30"	1178 kg 2,598 lb	V	V	V
	1.18 m ³ 1.54 yd ³	914 mm 36"	1358 kg 2,993 lb	V	V	V
	1.44 m ³ 1.88 yd ³	1067 mm 42"	1439 kg 3,173 lb	V	V	X
	1.70 m ³ 2.22 yd ³	1219 mm 48"	1555 kg 3,429 lb	W	X	Y
	1.96 m ³ 2.56 yd ³	1372 mm 54"	1701 kg 3,750 lb	X	Y	Z
Komatsu HPS	0.68 m ³ 0.89 yd ³	610 mm 24"	1112 kg 2,451 lb	V	V	V
	0.93 m ³ 1.21 yd ³	762 mm 30"	1294 kg 2,853 lb	V	V	V
	1.18 m ³ 1.54 yd ³	914 mm 36"	1437 kg 3,167 lb	V	V	V
	1.44 m ³ 1.88 yd ³	1067 mm 42"	1607 kg 3,543 lb	V	W	X
	1.70 m ³ 2.22 yd ³	1219 mm 48"	1750 kg 3,857 lb	W	X	Y
	1.96 m ³ 2.56 yd ³	1372 mm 54"	1921 kg 4,236 lb	X	Y	Z
Komatsu HPX	0.68 m ³ 0.89 yd ³	610 mm 24"	1239 kg 2,731 lb	V	V	V
	0.93 m ³ 1.21 yd ³	762 mm 30"	1421 kg 3,133 lb	V	V	V
	1.18 m ³ 1.54 yd ³	914 mm 36"	1564 kg 3,447 lb	V	V	W
	1.44 m ³ 1.88 yd ³	1067 mm 42"	1734 kg 3,823 lb	V	W	X
	1.70 m ³ 2.22 yd ³	1219 mm 48"	1877 kg 4,137 lb	X	X	Y
	1.96 m ³ 2.56 yd ³	1372 mm 54"	2048 kg 4,516 lb	Y	Y	Z

V – Used with weights up to 3,500 lb/yd³, W – Used with weights up to 3,000 lb/yd³

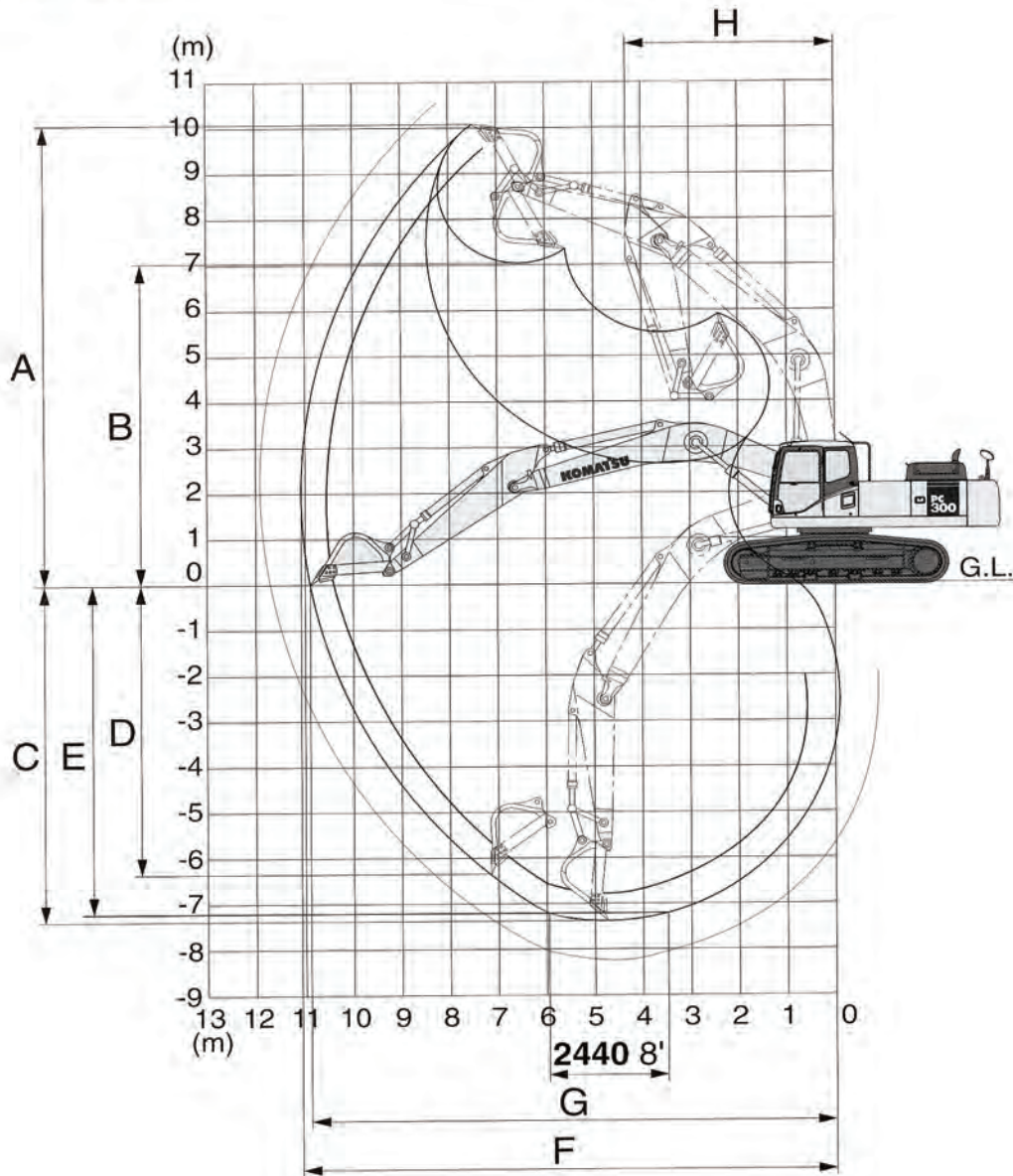
X – Used with weights up to 2,500 lb/yd³, Y – Used with weights up to 2,000 lb/yd³, Z – Not useable

PC300LC-7 HYDRAULIC EXCAVATOR

WORKING RANGES



WORKING RANGE



	Arm	2540 mm	8'4"	3185 mm	10'5"	4020 mm	13'2"
A	Max. digging height	9965 mm	32'8"	10210 mm	33'6"	10550 mm	34'7"
B	Max. dumping height	6895 mm	22'7"	7110 mm	23'4"	7490 mm	24'7"
C	Max. digging depth	6705 mm	22'0"	7380 mm	24'3"	8180 mm	26'10"
D	Max. vertical wall digging depth	5880 mm	19'4"	6480 mm	21'3"	7280 mm	23'11"
E	Max. digging depth of cut for 8' level	6520 mm	21'5"	7180 mm	23'7"	8045 mm	26'5"
F	Max. digging reach	10550 mm	34'7"	11100 mm	36'5"	11900 mm	39'1"
G	Max. digging reach at ground level	10355 mm	34'0"	10920 mm	35'10"	11730 mm	38'5"
H	Min. swing radius	4400 mm	14'5"	4310 mm	14'2"	4320 mm	14'2"