

KOMATSU

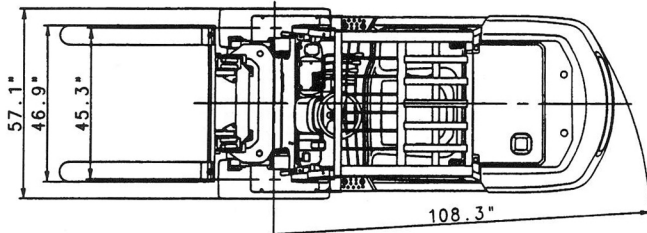
Forklift Truck
Pneumatic Tires
Diesel/Gas

SPECIFICATIONS

FG40T-7

FG40T2-7

FD40T-7

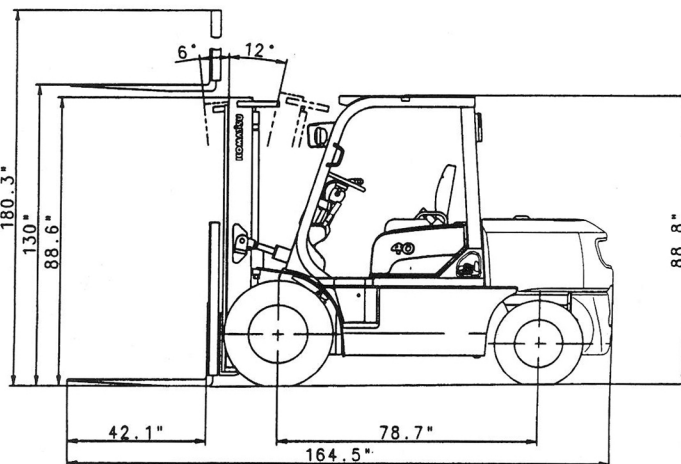


MAST DATA

Maximum Fork Height in. (mm.)	Overall Height Lowered in. (mm.)	Overall Height Extended* in. (mm.)	Free* Lift in. (mm.)	Load Capacities** Lbs. (kg)
TWO-STAGE				
119 (3020)	90.5 (2300)	167.0 (4240)	7.0 (180)	9000 (4080)
130 (3300)	96.5 (2450)	178.0 (4520)	7.0 (180)	9000 (4080)
146 (3710)	104.5 (2655)	194.0 (4930)	7.0 (180)	9000 (4080)
158 (4010)	110.5 (2805)	206.0 (5230)	7.0 (180)	9000 (4080)
169 (4290)	116.5 (2960)	217.0 (5510)	7.0 (180)	9000 (4080)

MAST DATA

Maximum Fork Height in. (mm.)	Overall Height Lowered in. (mm.)	Overall Height Extended* in. (mm.)	Free* Lift in. (mm.)	Load Capacities** Lbs. (kg)
TWO-STAGE FULL FREE MAST				
118 (3000)	90.4 (2295)	165.7 (4210)	42.2 (1070)	9000 (4080)
130 (3300)	96.5 (2450)	178.1 (4525)	48.3 (1225)	9000 (4080)
146 (3700)	104.1 (2645)	193.9 (4925)	56 (1420)	9000 (4080)
157 (4000)	112.2 (2850)	205.6 (5220)	64.1 (1630)	9000 (4080)



MAST DATA

Maximum Fork Height in. (mm.)	Overall Height Lowered in. (mm.)	Overall Height Extended* in. (mm.)	Free* Lift in. (mm.)	Load Capacities** Lbs. (kg)
THREE STAGE MAST				
158 (4015)	83.5 (2120)	206 (5230)	35.5 (900)	9000 (4080)
170 (4320)	87.5 (2225)	218 (5535)	39.5 (1005)	9000 (4080)
185 (4700)	92.5 (2349.5)	233 (5920)	44.5 (1130.3)	9000 (4080)
197 (5005)	96.5 (2450)	245 (6225)	48.5 (1230)	9000 (4080)
218 (5535)	103.5 (2630)	266 (6755)	55.5 (1409.7)	7700 (3500)
236 (5995)	109.5 (2780)	284 (7215)	61.5 (1560)	5950 (2700)

* Data of Extended Overall Height and Free Lift include height of 48" load backrest.

** Load capacity at 24" (610mm) load center with standard tread.

Komatsu products and specifications are subject to continuous improvement and change without prior notice. The illustrations do not necessarily show the standard version and features of the equipment. Actual operating conditions may affect performance and specifications and may suggest the use of certain options and attachments. Please consult your dealer for specifications and availability.

Note: Some items and components shown in the photo may be optional equipment.

TRUCK DATA

General Specifications

Model		FG40T-7	FG40T2-7	FD40T-7
Capacity @ 24-in. (610 mm) load center	Lb. (kg)	9,000 (4,080)		
Power plant type		Gasoline	Gasoline	Diesel
Number of wheels (front-wheel drive)		2/2		
Service weight	Lb. (kg)	13,680 (6,205)	13,680 (6,205)	14,080 (6,385)
DIMENSIONS				
Height to overhead guard	in. (mm.)	88.8 (2,255)		
Lowered Mast Height (2-stage)	in. (mm.)	88.6 (2,250)		
Extended Mast Height (83in. 2-stage)	in. (mm.)	180.3 (4,580)		
Maximum Fork Height (83in. 2-stage)	in. (mm.)	130 (3,300)		
Free lift height (2-stage masts)	in. (mm.)	6.7 (170)		
Length to face of forks (2-stage masts)	in. (mm.)	122.4 (3,110)		
Length to face of forks (3-stage masts)	in. (mm.)	122.2 (3,105)		
Overall width	in. (mm.)	57.1 (1,450)		
Tilting angle (2-stage masts) (fwd/back)	degree (°)	6/12		
Tilting angle (3-stage masts) (fwd/back)	degree (°)	6/6		
Outside Turning Radius	in. (mm.)	108.3 (2,750)		
Load dist. from center axle (2-stage)	in. (mm.)	21.7 (550)		
Load dist. from center axle (3-stage)	in. (mm.)	21.5 (545)		
Right angle stacking aisle (2-stage) + LL**	in. (mm.)	129.9 (3,330) +LL		
Right angle stacking aisle (3-stage) + LL**	in. (mm.)	129.7 (3,325) +LL		
PERFORMANCE				
Max. travel speed, forward, loaded	mph (km/h)	11.8 (19.0)	14.9 (24)	11.2 (18)
Max. travel speed, forward, unloaded	mph (km/h)	12.7 (20.5)	16.2 (26)	12.1 (19.5)
Lifting speeds, loaded/unloaded 2-stage	fpm(mm/s)	100/112 (510/570)	100/112 (510/570)	110/116 (560/590)
Lifting speeds, loaded/unloaded 3-stage	fpm(mm/s)	92/102 (470/520)	92/102 (470/520)	100/104 (510/530)
Lowering speeds, loaded/unloaded 2-stage	fpm(mm/s)	94/108 (480/550)		
Lowering speeds, loaded/unloaded 3-stage	fpm(mm/s)	86/76 (440/390)		
Maximum drawbar pull	lbs. (kN)	6,320 (28.1)	7,620 (33.9)	7,180 (31.9)
Gradeability, loaded/unloaded	percent (%)	28/22	35/22	31/22
CHASSIS AND WHEELS				
Tire size, front		300-15-18PR(1)		
Tire size, rear		7.00-12-12PR(1)		
Wheel base	in. (mm.)	78.7 (2,000)		
Tread (center of tires) front/rear	in. (mm.)	45.3/44.1 (1,150/1,120)		
Ground clearance under mast	in. (mm.)	5.5 (140)		
Ground clearance center of frame	in. (mm.)	8.7 (220)		
Service brake type		Hydraulic		
Parking brake type		Mechanical		
Steering type		Full Hydraulic Power Steering		
POWER TRAIN				
Engine model		TB42	TB42	6D102E
Rated power (SEA gross)	HP(KW) @ rpm	88 (65)@2,300	88 (65)@2,300	95 (71)@2,150
Max. torque (SEA gross)	lb-ft (N-m) @ rpm	203 (275)@1,900	203 (275)@1,900	253 (343)@1,500
No. of cylinder/displacement	cu. in. (cu-cm)	6/254 (4,169)	6/254 (4,169)	6/359 (5,889)
Cylinder bore x stroke	in. (mm.)	3.8 x 3.8 (96 x 96)	3.8 x 3.8 (96 x 96)	4 x 4.7 (102 x 120)
Fuel tank capacity	US gallons (litres)	26 (100)		
Air cleaner type		Cyclone		
Battery voltage/capacity (20-hour rating)	V/Ah	12/60	12/60	24/70
Clutch type		Torque Converter		
Transmission type		TORQFLOW		
Maximum hydraulic pressure	psi (bar)	2,650 (181)		
Hydraulic tank capacity	US gallons (litres)	15 (55)		

**LL = Load Length

Note: Most values shown in this publication are rounded. Therefore, direct conversion between metric and English or Imperial may be slightly different from those shown.

KOMATSU

Komatsu Forklift U.S.A., Inc.

14484 Lochridge Boulevard

Covington, GA 30014

Phone (770) 787-5100 Fax (770) 385-6003

Komatsu products and specifications are subject to continuous improvement and change without prior notice. The illustrations do not necessarily show the standard version and features of the equipment. Actual operating conditions may affect performance and specifications and may suggest the use of certain options and attachments. Please consult your Dealer for specifications and availability.

Actual operating conditions may suggest the use of certain options and attachments. Please consult your dealer for specifications and availability.